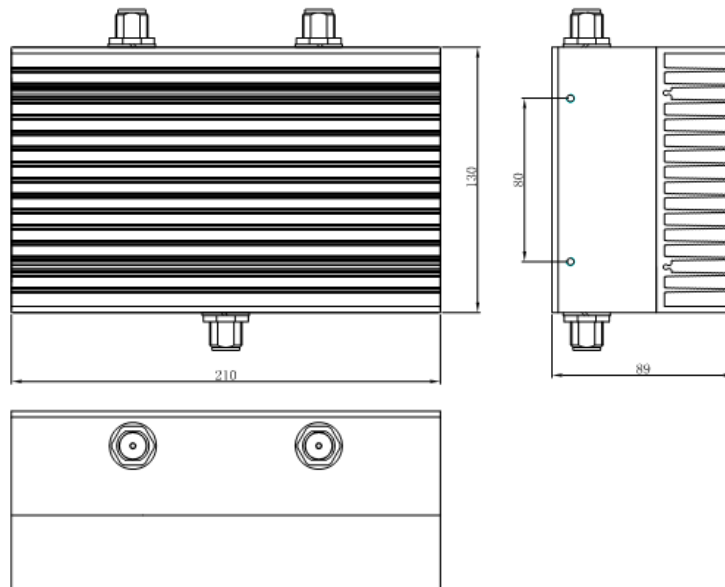


Specification of N Type 50W, 3dB LOW PIM RF Coaxial Attenuator (698-2700MHz):

No.	Item	Specification
1	Model	LPATF-50W-727-N3
2	Frequency Range	698-2700 MHz
3	VSWR	≤1.25
4	Attenuation	3.0 dB
5	Accuracy	±0.6 dB
6	Power	50 W
7	PIM	-160dBc@2X43dBm
8	Impedance	50 Ω
9	Connector Type	N Female Input – N Female Output (Unidirectional *)
10	Operating Temperature	-20~+50℃ , IP65
11	Figure Size	Down Drawing

\* Female A port input – Female B port output only , no reverse.

Product Drawing



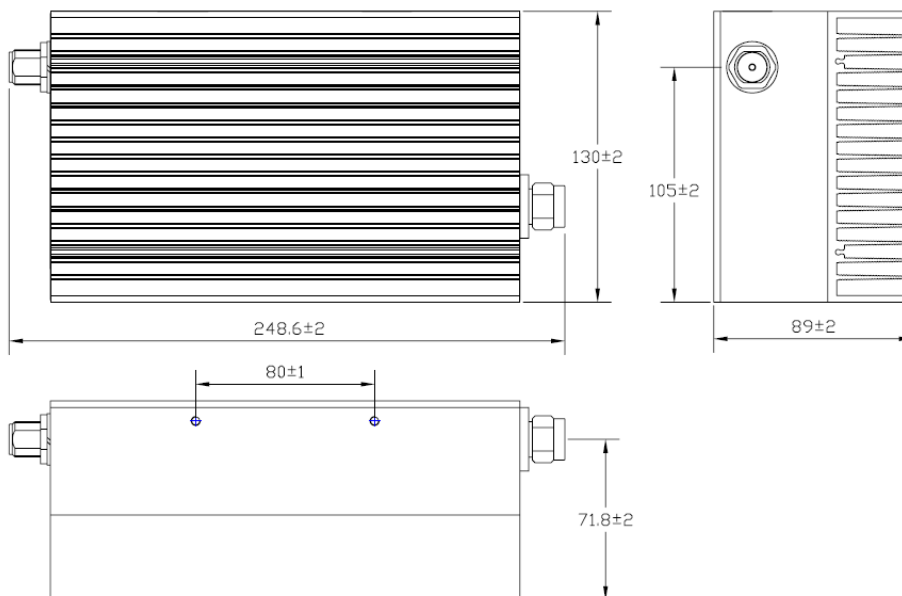
Note: The picture and the specification are just for reference. Be subject to the actual products if anything different or updated, Please pardon for without notice.

Specification of N Type 50W ,6~30dB LOW PIM RF Coaxial Attenuator (698-2700MHz):

No.	Item	Specification				
1	Model	LPATF-50W-727-NXX				
2	Frequency Range	698-2700 MHz				
3	VSWR	≤1.25				
4	Attenuation	6.0 dB	10.0 dB	15.0 dB	20.0 dB	30.0 dB
5	Accuracy	±0.6	±1.0	±1.0	±1.5	±1.5
6	Power	50 W				
7	PIM	-160dBc@2X43dBm				
8	Impedance	50 Ω				
9	Connector Type	N Male Input – N Female Output (Unidirectional *)				
10	Operating Temperature	-20~+50°C, IP65				
11	Figure Size	Down Drawing				

\* Male input - Female output only , no reverse.

Product Drawing



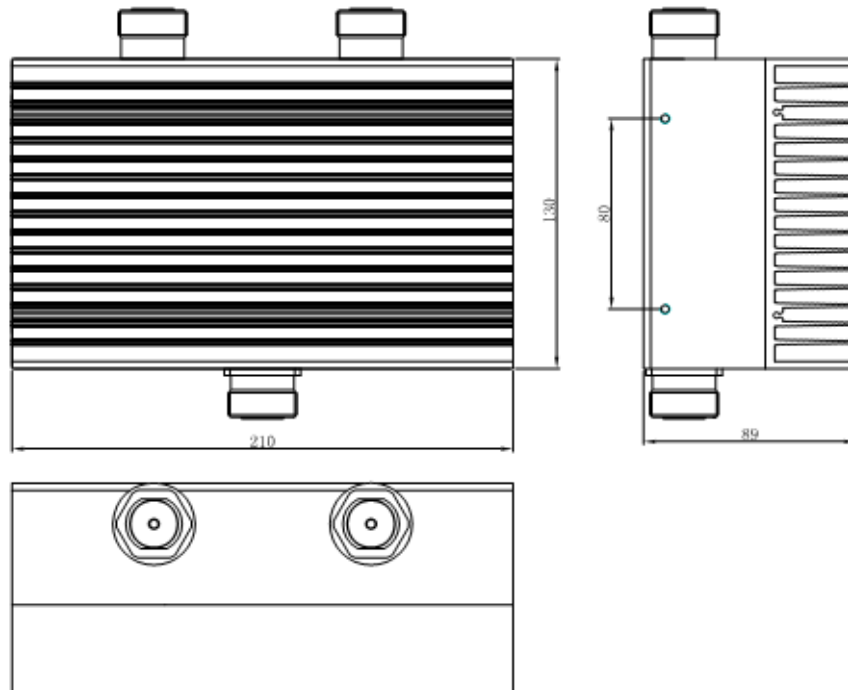
Note: The picture and the specification are just for reference. Be subject to the actual products if anything different or updated, Please pardon for without notice.

Specification of 7/16(DIN) Type 50W , 3DB LOW PIM RF Coaxial Attenuator (698-2700MHz):

No.	Item	Specification
1	Model	LPATF-50W-727-D3
2	Frequency Range	698-2700 MHz
3	VSWR	≤1.25
4	Attenuation	3.0 dB
5	Accuracy	±0.6
6	Power	50 W
7	PIM	-160dBc@2X43dBm
8	Impedance	50 Ω
9	Connector Type	7/16(DIN) Female Input – 7/16(DIN) Female Output (Unidirectional *)
10	Operating Temperature	-20~+50°C, IP65
11	Figure Size	Down Drawing

\* Female A port input – Female B port output only , no reverse.

Product Drawing



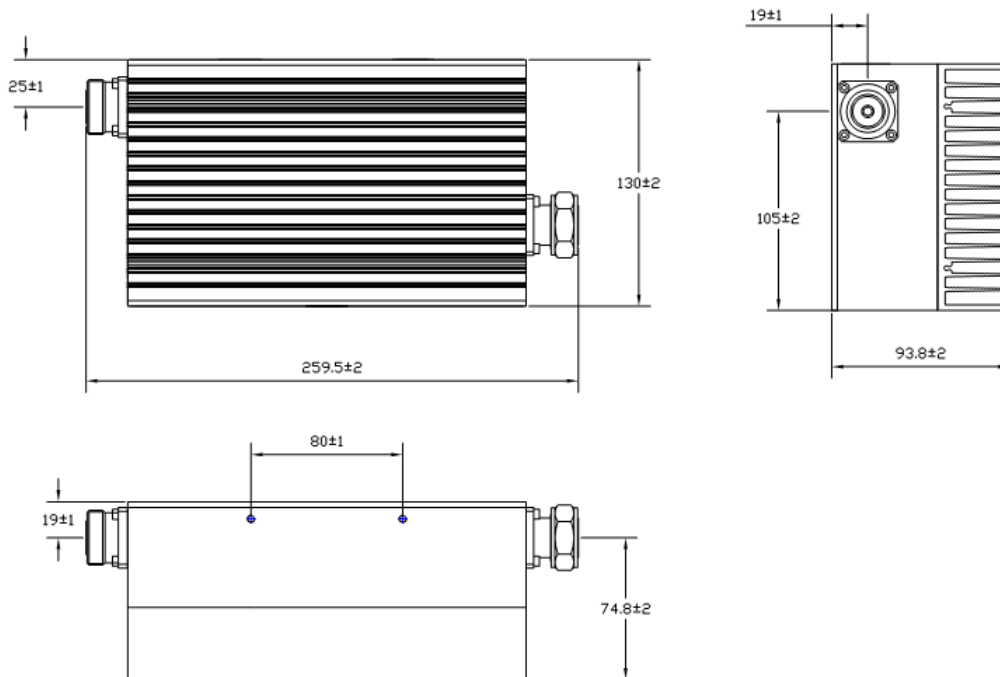
Note: The picture and the specification are just for reference. Be subject to the actual products if anything different or updated, Please pardon for without notice.

Specification of 7/16(DIN) Type 50W , 6~30DB LOW PIM RF Coaxial Attenuator (698-2700MHz):

No.	Item	Specification				
1	Model	LPATF-50W-727-DXX				
2	Frequency Range	698-2700 MHz				
3	VSWR	≤1.25				
4	Attenuation	6.0 dB	10.0 dB	15.0 dB	20.0 dB	30.0 dB
5	Accuracy	±0.6	±1.0	±1.0	±1.5	±1.5
6	Power	50 W				
7	PIM	-160dBc@2X43dBm				
8	Impedance	50 Ω				
9	Connector Type	7/16(DIN) Male Input – 7/16(DIN) Female Output (Unidirectional *)				
10	Operating Temperature	-20~+50℃, IP65				
11	Figure Size	Down Drawing				

\* Male input - Female output only , no reverse.

Product Drawing



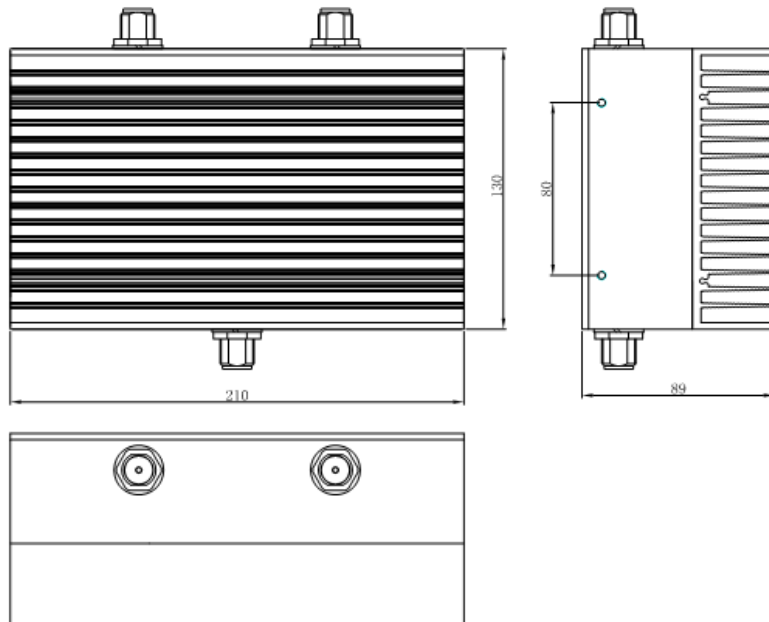
Note: The picture and the specification are just for reference. Be subject to the actual products if anything different or updated, Please pardon for without notice.

Specification of N Type 100W, 3dB LOW PIM RF Coaxial Attenuator (698-2700MHz):

No.	Item	Specification
1	Model	LPATF-100W-727-N3
2	Frequency Range	698-2700 MHz
3	VSWR	≤1.25
4	Attenuation	3.0 dB
5	Accuracy	±0.6
6	Power	100 W
7	PIM	-160dBc@2X43dBm
8	Impedance	50 Ω
9	Connector Type	N Female Input – N Female Output (Unidirectional *)
10	Operating Temperature	-20~+50°C, IP65
11	Figure Size	Down Drawing

\* Female A port input – Female B port output only , no reverse.

Product Drawing



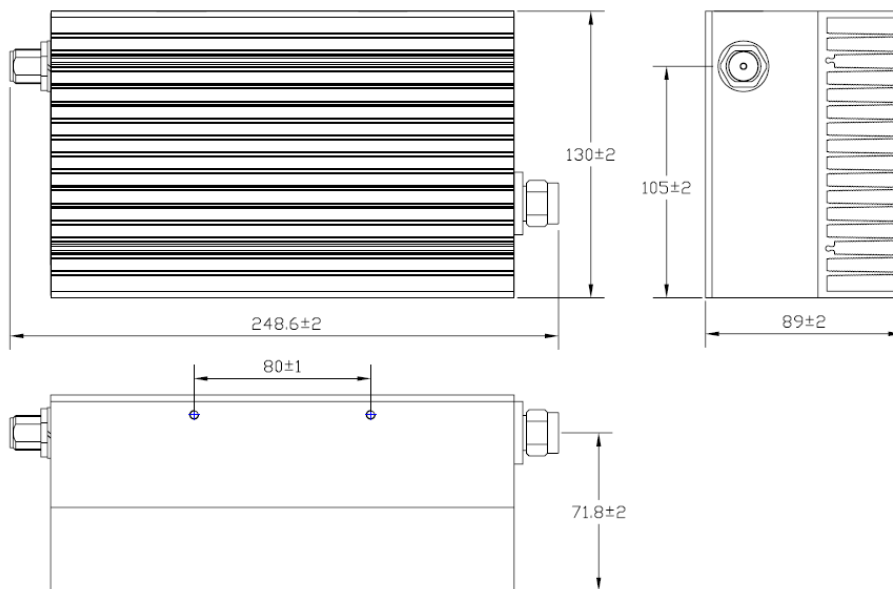
Note: The picture and the specification are just for reference. Be subject to the actual products if anything different or updated, Please pardon for without notice.

Specification of N Type 100W , 6~30dB LOW PIM RF Coaxial Attenuator (698-2700MHz):

No.	Item	Specification				
1	Model	LPATF-100W-727-NXX				
2	Frequency Range	698-2700 MHz				
3	VSWR	≤1.25				
4	Attenuation	6.0 dB	10.0 dB	15.0 dB	20.0 dB	30.0 dB
5	Accuracy	±0.6	±1.0	±1.0	±1.5	±1.5
6	Power	100 W				
7	PIM	-160dBc@2X43dBm				
8	Impedance	50 Ω				
9	Connector Type	N Male Input – N Female Output (Unidirectional *)				
10	Operating Temperature	-20~+50°C, IP65				
11	Figure Size	Down Drawing				

\* Male input - Female output only , no reverse.

Product Drawing



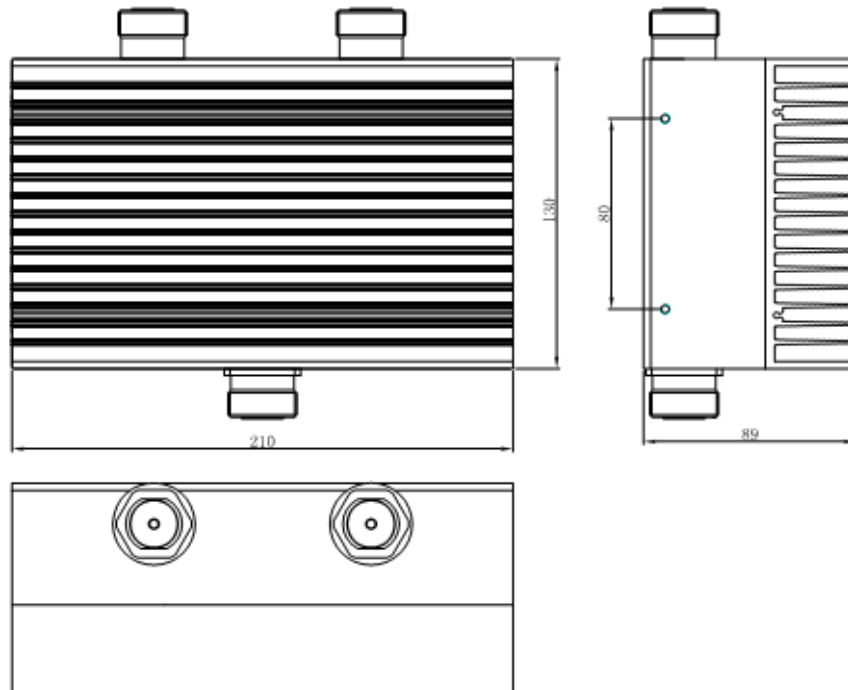
Note: The picture and the specification are just for reference. Be subject to the actual products if anything different or updated, Please pardon for without notice.

Specification of 7/16(DIN) Type 100W, 3dB LOW PIM RF Coaxial Attenuator (698-2700MHz):

No.	Item	Specification
1	Model	LPATF-100W-727-D3
2	Frequency Range	698-2700 MHz
3	VSWR	≤1.25
4	Attenuation	3.0 dB
5	Accuracy	±0.6
6	Power	100 W
7	PIM	-160dBc@2X43dBm
8	Impedance	50 Ω
9	Connector Type	7/16(DIN) Female Input – 7/16(DIN) Female Output (Unidirectional *)
10	Operating Temperature	-20~+50°C, IP65
11	Figure Size	Down Drawing

\* Female A port input – Female B port output only , no reverse.

Product Drawing



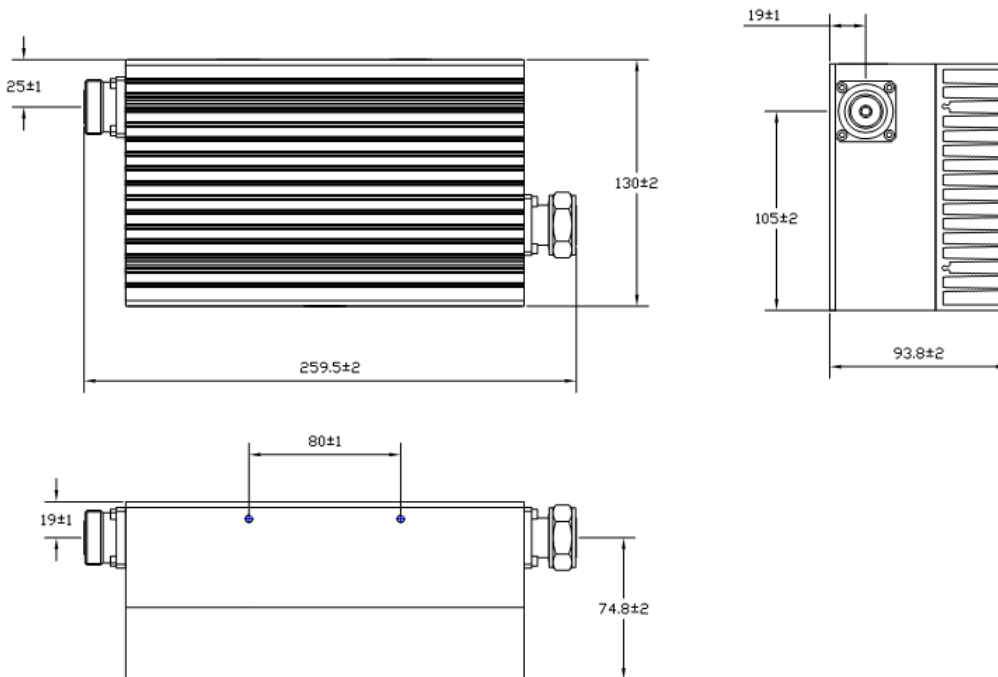
Note: The picture and the specification are just for reference. Be subject to the actual products if anything different or updated, Please pardon for without notice.

Specification of 7/16(DIN) Type 100W, 6~30dB LOW PIM RF Coaxial Attenuator (698-2700MHz):

No.	Item	Specification				
1	Model	LPATF-100W-727-DXX				
2	Frequency Range	698-2700 MHz				
3	VSWR	$\leq 1.25$				
4	Attenuation	6.0 dB	10.0 dB	15.0 dB	20.0 dB	30.0 dB
5	Accuracy	$\pm 0.6$	$\pm 1.0$	$\pm 1.0$	$\pm 1.5$	$\pm 1.5$
6	Power	100 W				
7	PIM	-160dBc@2X43dBm				
8	Impedance	50 $\Omega$				
9	Connector Type	7/16(DIN) Male Input – 7/16(DIN) Female Output (Unidirectional *)				
10	Operating Temperature	-20~+50°C, IP65				
11	Figure Size	Down Drawing				

\* Male input - Female output only , no reverse.

Product Drawing



Note: The picture and the specification are just for reference. Be subject to the actual products if anything different or updated, Please pardon for without notice.