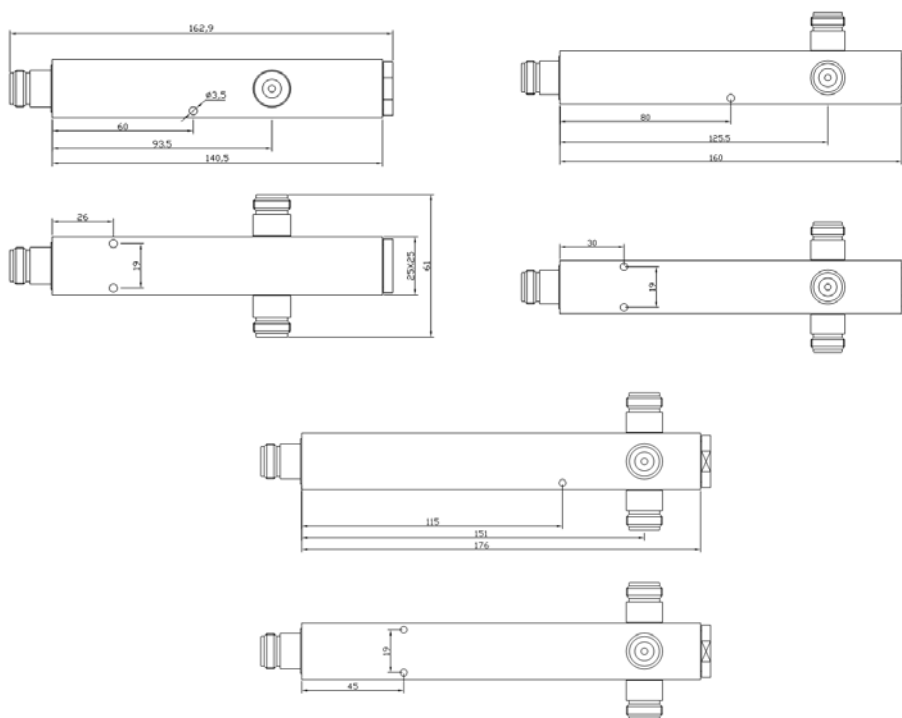


Specifications of N Type 380-2700MHz Power Splitter(Air-Line Dielectric Type):

Item	Specification		
Model	PS-327-300-2CNI/H	PS-327-300-3CNI/H	PS-327-300-4CNI/H
Frequency Range (MHz)	380-2700		
Split(dB)	2	3	4
Split Loss(dB)	3	4.8	6
Dissipative loss (dB)	0.20	0.30	0.30
VSWR	1.20		
Intermodulation (dBc)	-160 , 2x43dBm		
Power Rating (W)	300		
Impedance (Ω)	50		
Connector	N Female		
Temperature Range ($^{\circ}$ C)	-40 - 75		
Applications	Indoor/Outdoor, IP65		

Product Drawing



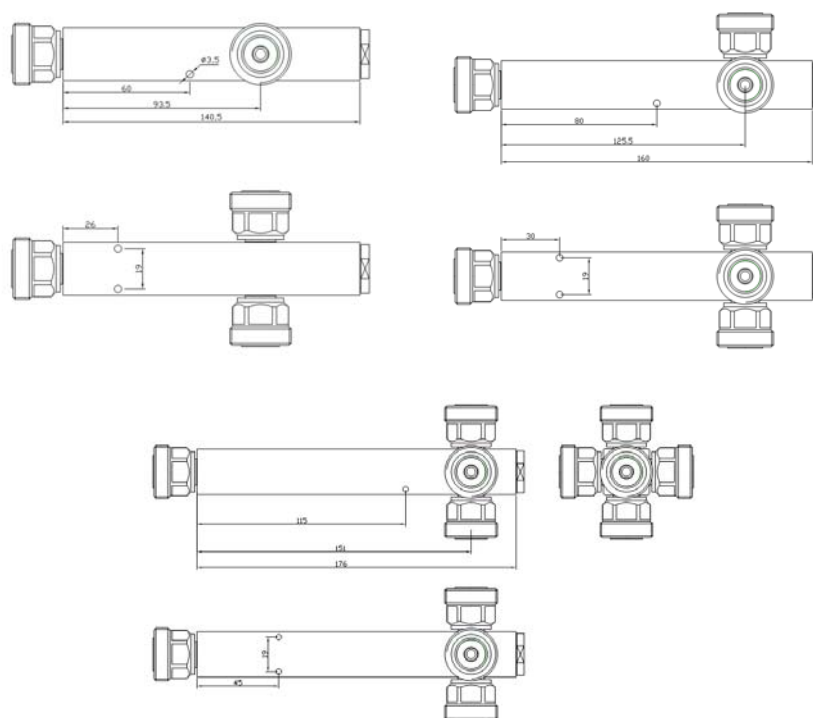
Note: The picture and the specification are just for reference. Be subject to the actual products if anything different or updated, Please pardon for without notice.

Specifications of N Type 380-2700MHz Power Splitter(Air-Line Dielectric Type):

Item	Specification		
	PS-327-300-2CDI/H	PS-327-300-3CDI/H	PS-327-300-4CDI/H
Model	PS-327-300-2CDI/H	PS-327-300-3CDI/H	PS-327-300-4CDI/H
Frequency Range (MHz)	380-2700		
Split(dB)	2	3	4
Split Loss(dB)	3	4.8	6
Dissipative loss (dB)	0.20	0.30	0.30
VSWR	1.20		
Intermodulation (dBc)	-160 , 2x43dBm		
Power Rating (W)	300		
Impedance (Ω)	50		
Connector	7/16(DIN) Female *		
Temperature Range ($^{\circ}$ C)	-40 - 75		
Applications	Indoor/Outdoor, IP65		

* Can be Custom Made with 4.1/9.5 MINI DIN Female or 4.3/10 MINI DIN Female

Product Drawing



Note: The picture and the specification are just for reference. Be subject to the actual products if anything different or updated, Please pardon for without notice.