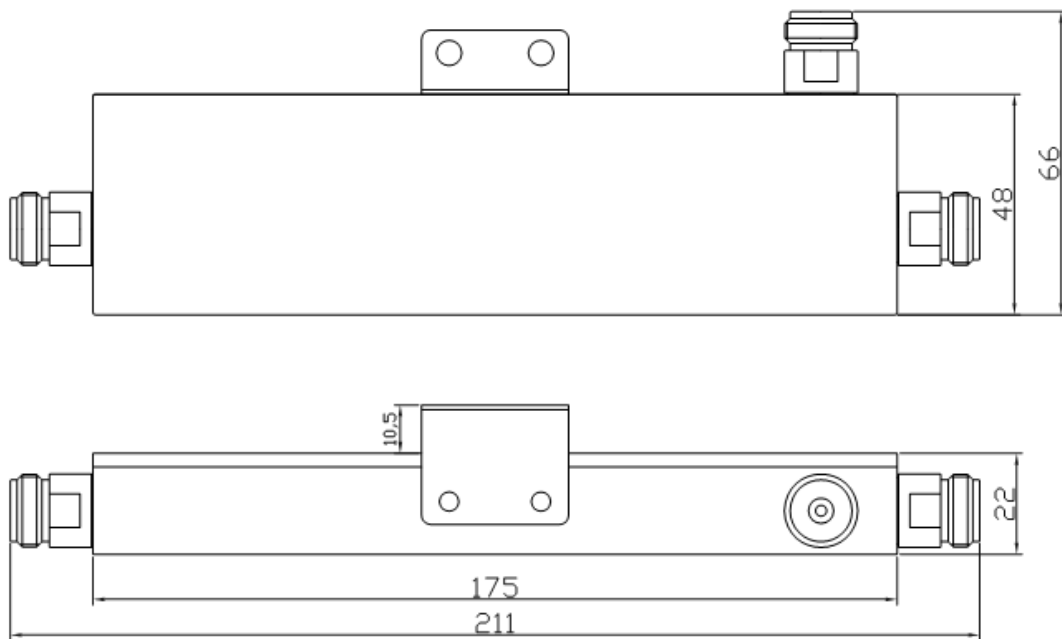


N Type Air Dielectric Directional Coupler (380-2700MHz):

Item	Specification				
Model	DC-327-200-XCNI/H				
Frequency Range	380-2700 MHz				
Coupling (dB)	6±1.0	10±1.2	15±1.2	20±1.2	30±1.5
Mainline loss (dB)	1.7	0.8	0.5	0.3	0.3
Isolation(dB)	26	30	35	40	50
Return Loss	19 dB	19 dB	19 dB	19 dB	19 dB
VSWR	1.25:1				
Intermodulation	-160 dBc@2x43dBm				
Average Power	200 W				
Peak Power	1000 W				
Impedance	50(Ω)				
Connector	N/Female				
Temperature Range	-35 - +85(°C)				
Housing Finish Color	Gold/Gray/Frosted Matte Black				
Applications	Indoor/Outdoor Use , IP65 , RoHS Compliant				

Product Picture



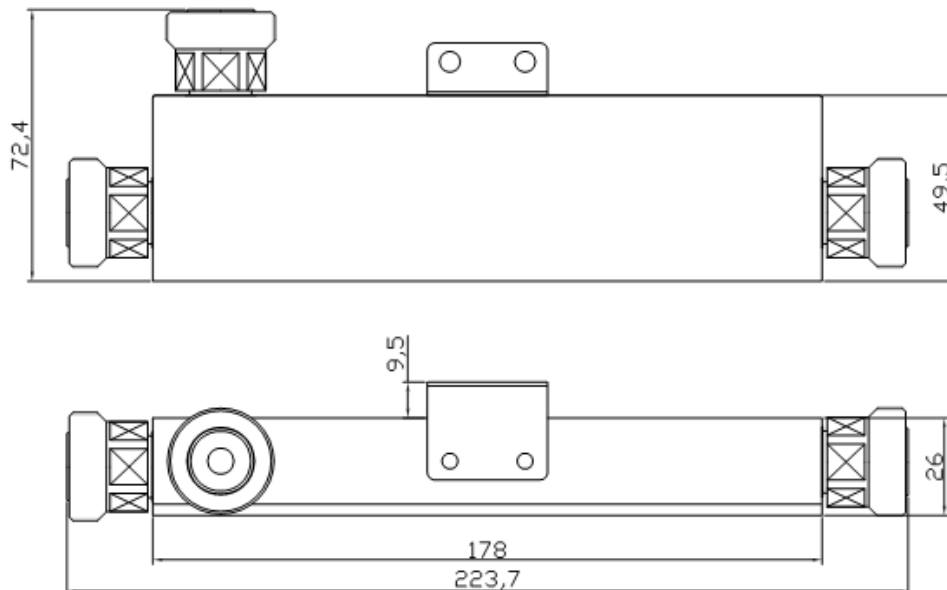
Note: The picture only for reference, please make the object as the standard.

7/16(DIN) Type Air Dielectric Directional Coupler (380-2700MHz):

Item	Specification				
Model	DC-327-200-XCDI/H				
Frequency Range	380-2700 MHz				
Coupling (dB)	6±1.0	10±1.2	15±1.2	20±1.2	30±1.5
Mainline loss (dB)	1.7	0.8	0.5	0.3	0.3
Isolation(dB)	26	30	35	40	50
Return Loss	19 dB	19 dB	19 dB	19 dB	19 dB
VSWR	1.25:1				
Intermodulation	-160 dBc@2x43dBm				
Average Power	200 W				
Peak Power	1000 W				
Impedance	50(Ω)				
Connector	7/16(DIN)/Female *				
Temperature Range	-35 - +85(°C)				
Housing Finish Color	Gold/Gray/Frosted Matte Black				
Applications	Indoor/Outdoor Use , IP65 , RoHS Compliant				

* Can be Custom Made with 4.1/9.5 MINI DIN Female or 4.3/10 MINI DIN Female

Product Picture



Note: The picture only for reference, please make the object as the standard.