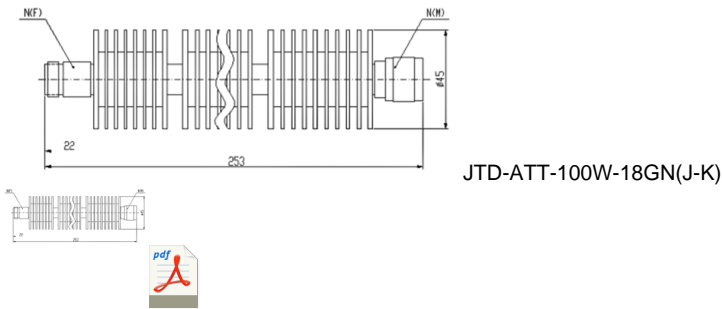


JTD-ATT-100W-18GN(J-K)



100W N (J-K) FIXED ATTENUATOR (DC-18G)

?: ????
1-4 Weeks
★★★★★

[?????????](#)

??

???????????????????????????? T?L ? Pi ???.

Fixed attenuators are placed in signal paths to reduce power transmission and are set at a fixed attenuation by a symmetrical resistive network that follows a T, L or Pi configuration. Their configuration can either be in waveguide, in surface mount or coaxial, and depending on their application, they can either be directional or bidirectional.