

617~960/1710~2700/3300~3800/4900~6000MHz 4/5/6/6dBi MIMO Omni Directional Ceiling Antenna



JIETONG DIGITAL
GET CONNECTED

Telecommunication Technology & Engineering Accessories

Rev.V1.0

MIMO Omni Directional Ceiling Antenna (JTD-CE-0660-6DB-MD):

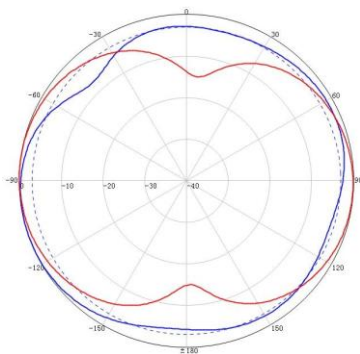
Electrical specifications

Frequency range (MHz)	617~960	1710~2700	3300~3800	4900-6000
Polarization	2*Linear			
Maximum Gain (dBi)	4	5	6	6
Horizontal beam width (°)	360			
Vertical beam width (°) (Typical values)	80	50	40	50
Isolation (dB)	≥16	≥20	≥25	≥20
Impedance (Ω)	50			
VSWR	≤2.0	≤1.8		
Intermodulation IM3 (2×43dBm carrier)	≤-150 dBc			/
Maximum power (W)	50			
Lighting protection	DC Ground			

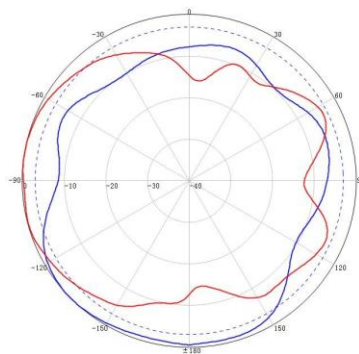
Mechanical specifications

Connector	2*4.3-10 Female or customer requirement
Connector position	Bottom
Exposed cable size (cm)	30(or customer requirement)
Height/width/depth (mm)	Φ207*56
Packing size (mm)	213*168*204
Weight (kg)	0.6
Radome material	ABS
Radome color	White
Operating temperature (°C)	-40~60
Application	Indoor
Mounting	Nut

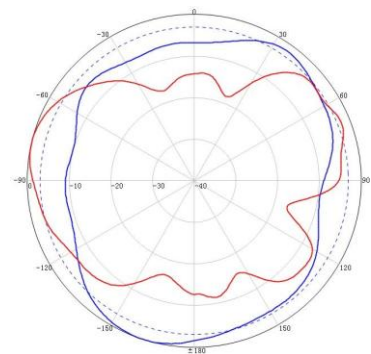
617~960MHz Typical pattern



1710~2700MHz Typical pattern



3300~6000MHz Typical pattern



617~960/1710~2700/3300~3800/4900~6000MHz 4/5/6/6dBi MIMO Omni Directional Ceiling Antenna

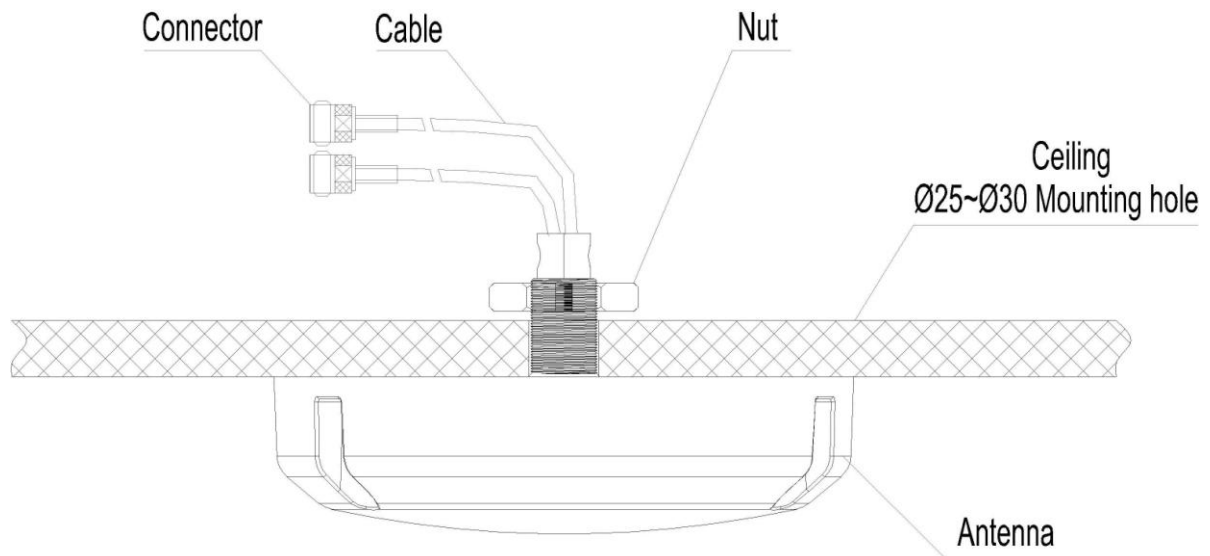
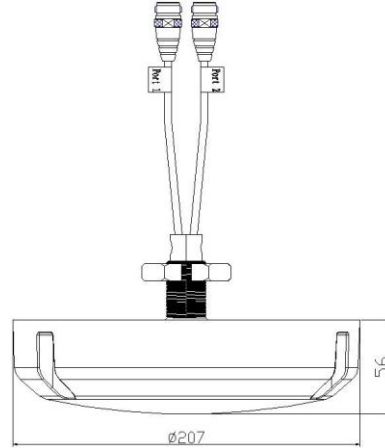


JIETONG DIGITAL
GET CONNECTED

Product pictures



Product size



Note: Any obstruction can't be in the way of telecommunication direction.
Any metallic rod must be away from antenna more than one meter.

