

# 2-18GHz SMA TYPE DIRECTIONAL COUPLER



**JIETONG DIGITAL**  
GET CONNECTED

Telecommunication Technology & Engineering Accessories

Rev.V1.0

## SMA Type 16dB Directional Coupler (2-18GHz) Model: DC-218-35-16GSMA

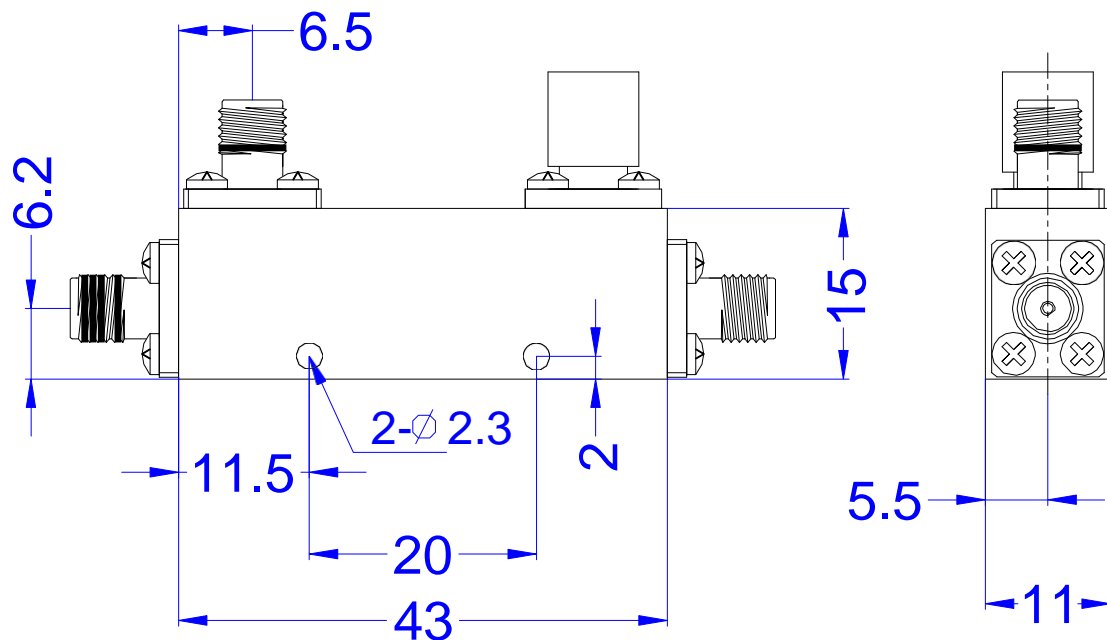
2-18GHz SMA Type Directional Coupler:

Item	Minimum	Typical	Maximum	Units
Frequency Range	2	-	18	GHz
Nominal Coupling	-	-	16±1.2	dB
Coupling Sensitivity to Frequency	-	-	±0.8	dB
Insertion Loss (True)	-	-	1.0	dB
Directivity	10	-	-	dB
VSWR Primary	-	-	1.5	
VSWR Secondary	-	-	1.5	
Impedance	-	50	-	Ω
Power incident (Avg)	-	-	25	Watts
Power (Peak)	-	-	1	KW
Operating Temperature Range	-40	-	+85	°C

Outline Drawing:

All Dimensions are in mm.

All Connectors: SMA-Female Tolerance: ±0.2mm Painted pantone #627 green.



Note: The drawing only for reference, please make the object as the standard.

